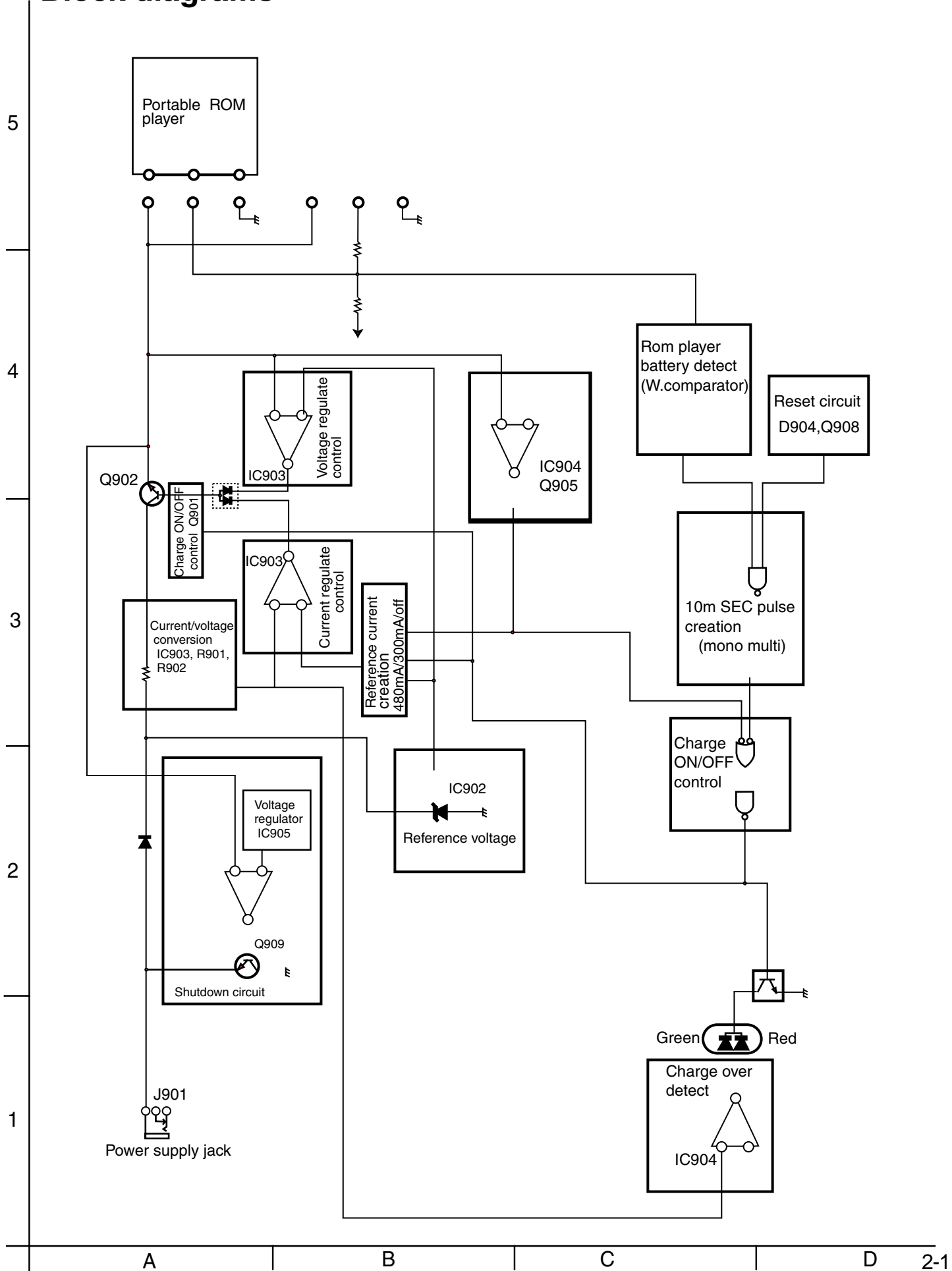
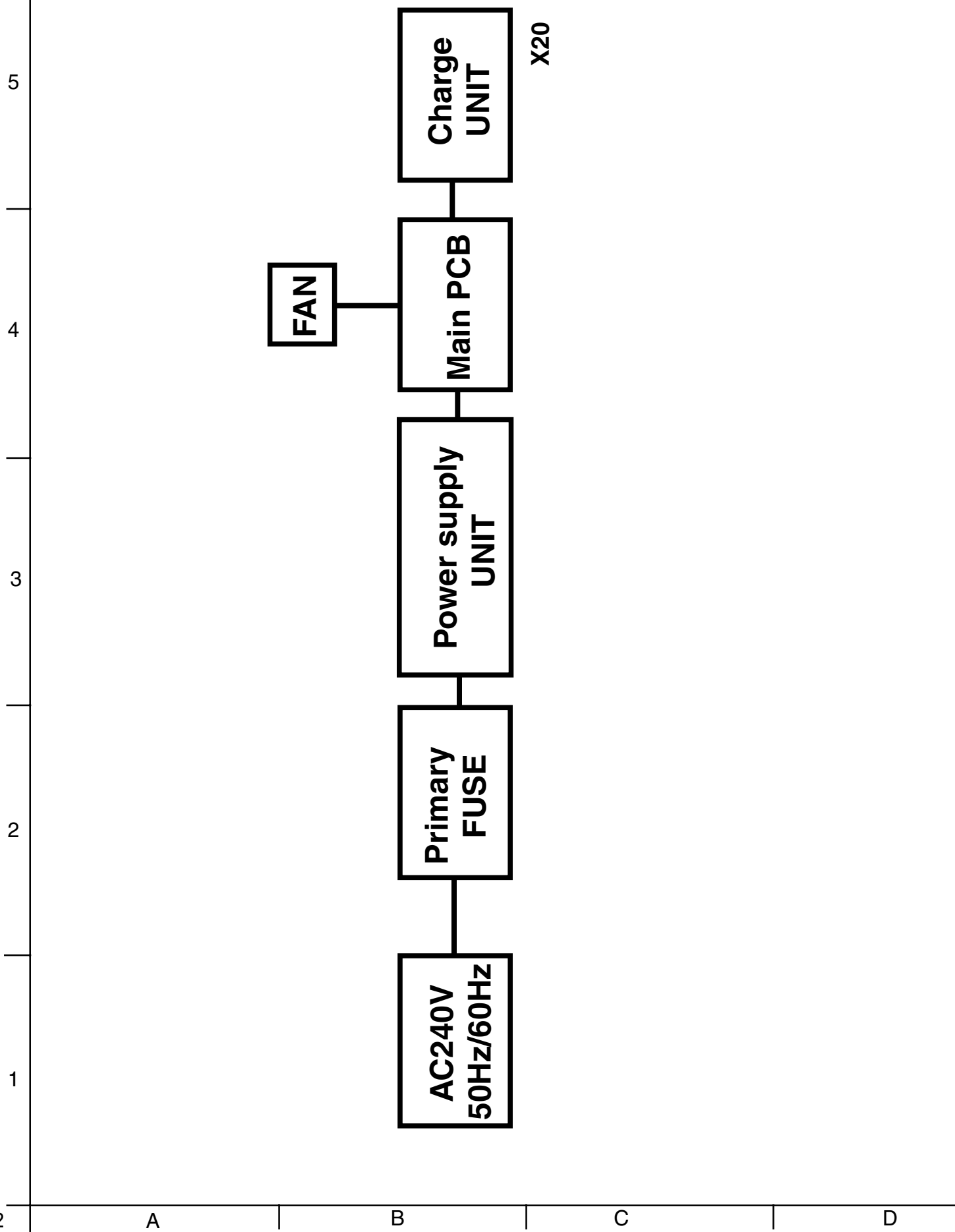


Block diagrams



XL-GC20 Block diagram



Standard schematic diagrams

Power supply section

5

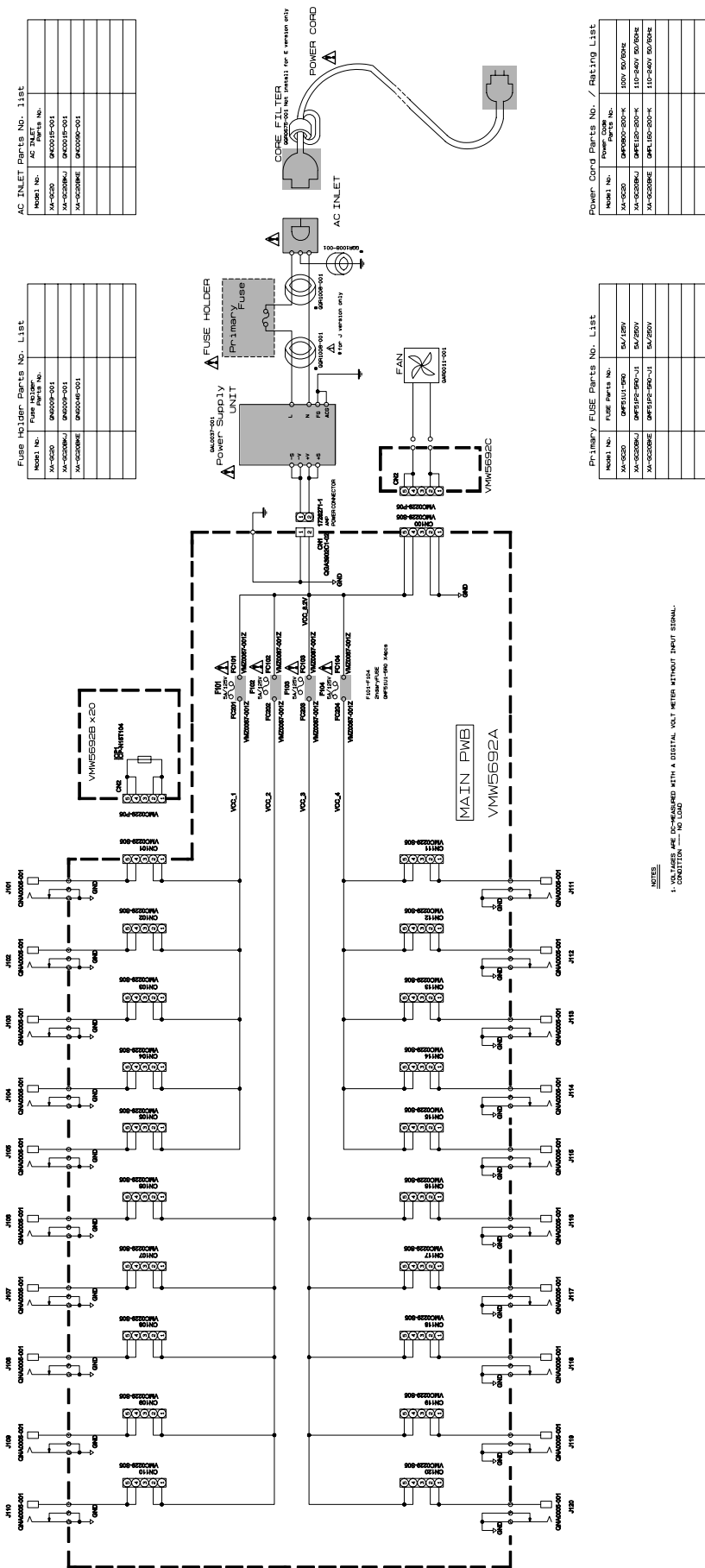
4

3

2

1

to CHARGE UNITx20 via GAM0039-001 DC PLUG TO PLUG CORD



AC INLET Parts No. List

Part No.	AC INLET
XA-0020	0400000-000-K
XA-0020M1	0400000-000-K
XA-0020M2	0400000-000-K
XA-0020M3	0400000-000-K

FUSE HOLDER Parts No. List

Part No.	FUSE HOLDER
XA-0020	0400000-000-K
XA-0020M1	0400000-000-K
XA-0020M2	0400000-000-K
XA-0020M3	0400000-000-K

Power Cord Parts No. / Rating List

Part No.	Power Cord
XA-0020	0400000-000-K 100V 50/60Hz
XA-0020M1	0400000-000-K 110V 50/60Hz
XA-0020M2	0400000-000-K 110V 50/60Hz
XA-0020M3	0400000-000-K 110V 50/60Hz

Primary Fuse Parts No. List

Part No.	FUSE
XA-0020	0400000-000-K 5A/125V
XA-0020M1	0400000-000-K 5A/250V
XA-0020M2	0400000-000-K 5A/250V
XA-0020M3	0400000-000-K 5A/250V

▲ Parts are safety assurance parts. When replacing those parts make sure to use the specified one.

A

B

C

D

2-3

■ Voltage control section

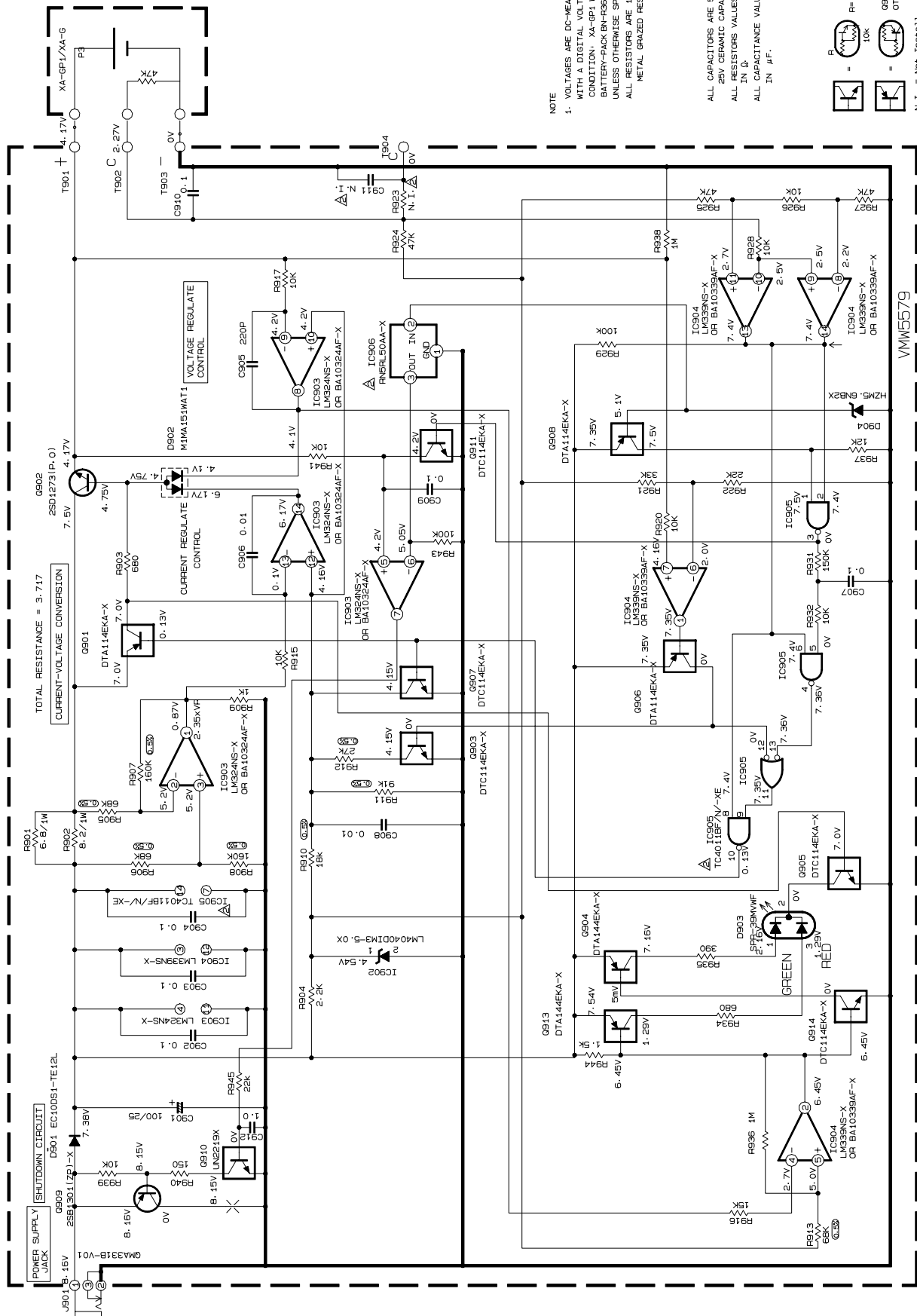
5

4

3

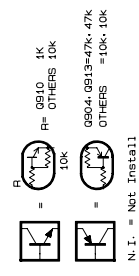
2

1



NOTE
1. VOLTAGES ARE DC-MEASURED WITH A DIGITAL VOLTMETER. CONDITION: XA-GP1 WITH BATTERY-PACK BN-R36(1.4, 1.8V) UNLESS OTHERWISE SPECIFIED ALL RESISTORS ARE 1/10W ±5K METAL GRAZED RESISTOR.

ALL CAPACITORS ARE 50V OR 25V CERAMIC CAPACITOR UNLESS OTHERWISE SPECIFIED ALL RESISTOR VALUES ARE IN Ω, IN K, IN M, IN #F.



VM5579

Printed circuit boards

■ Main section

Surface side

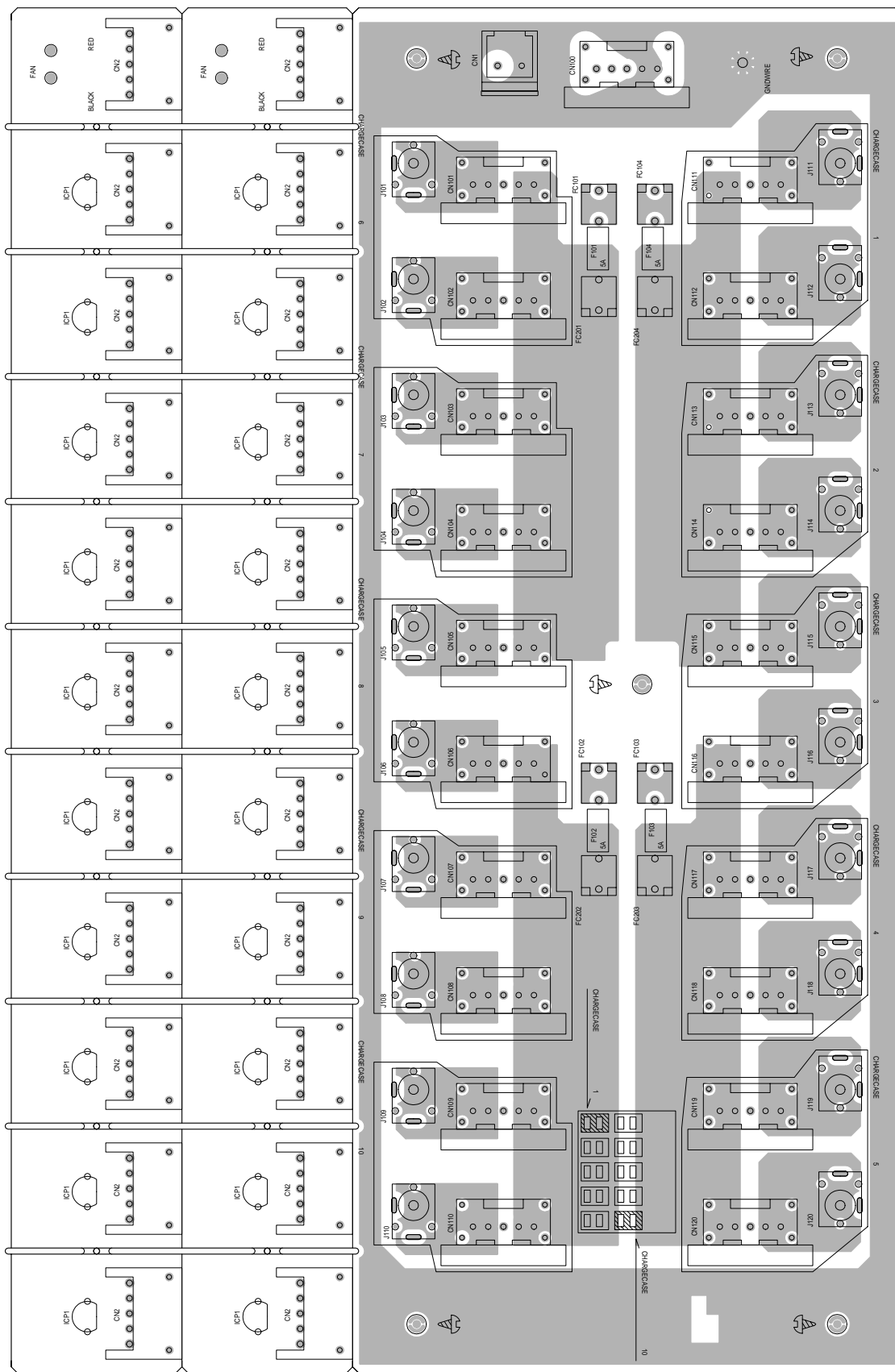
5

4

3

2

1



A

B

C

D

2-5

Bottom side

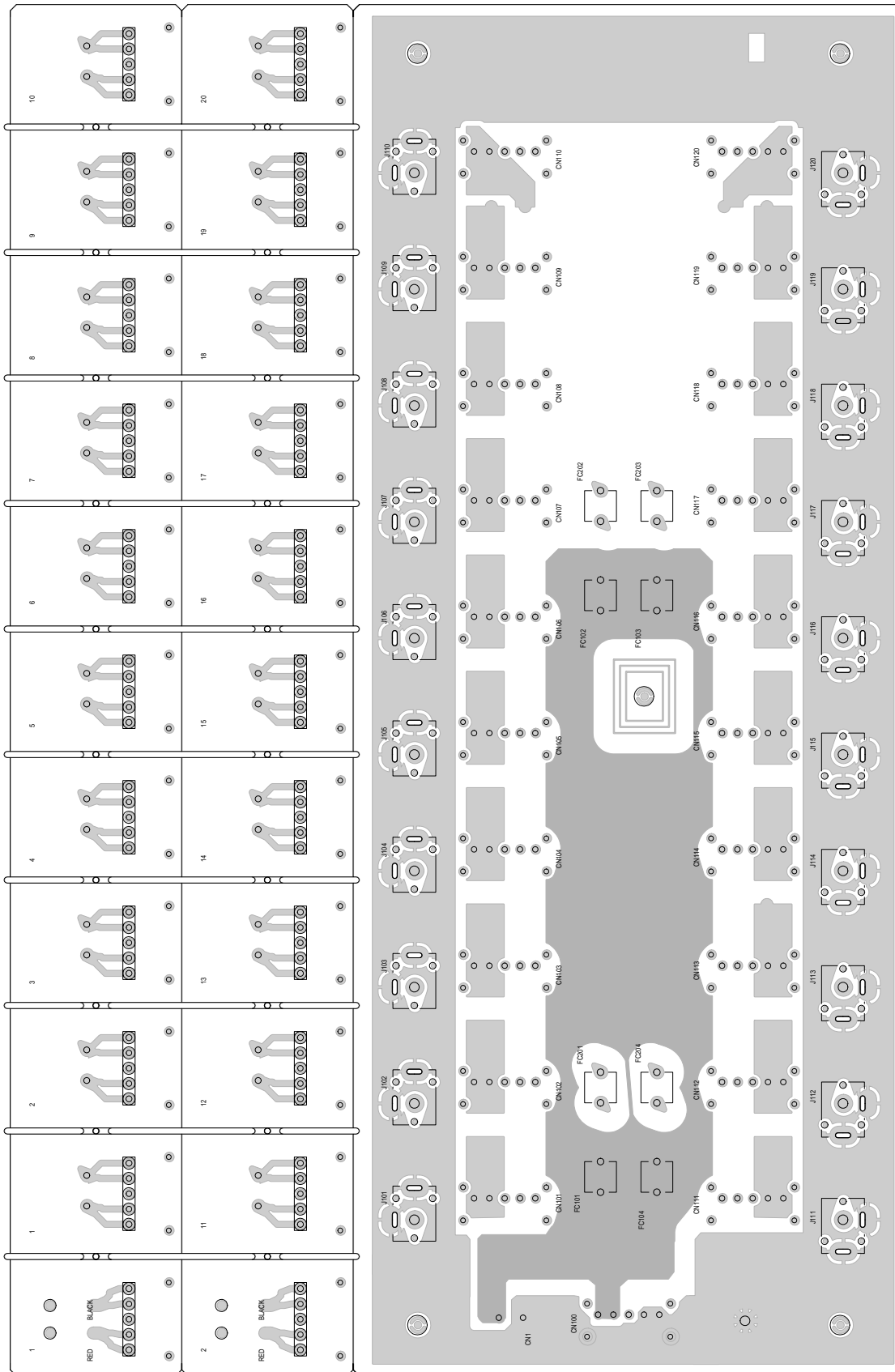
5

4

3

2

1



A

B

C

D

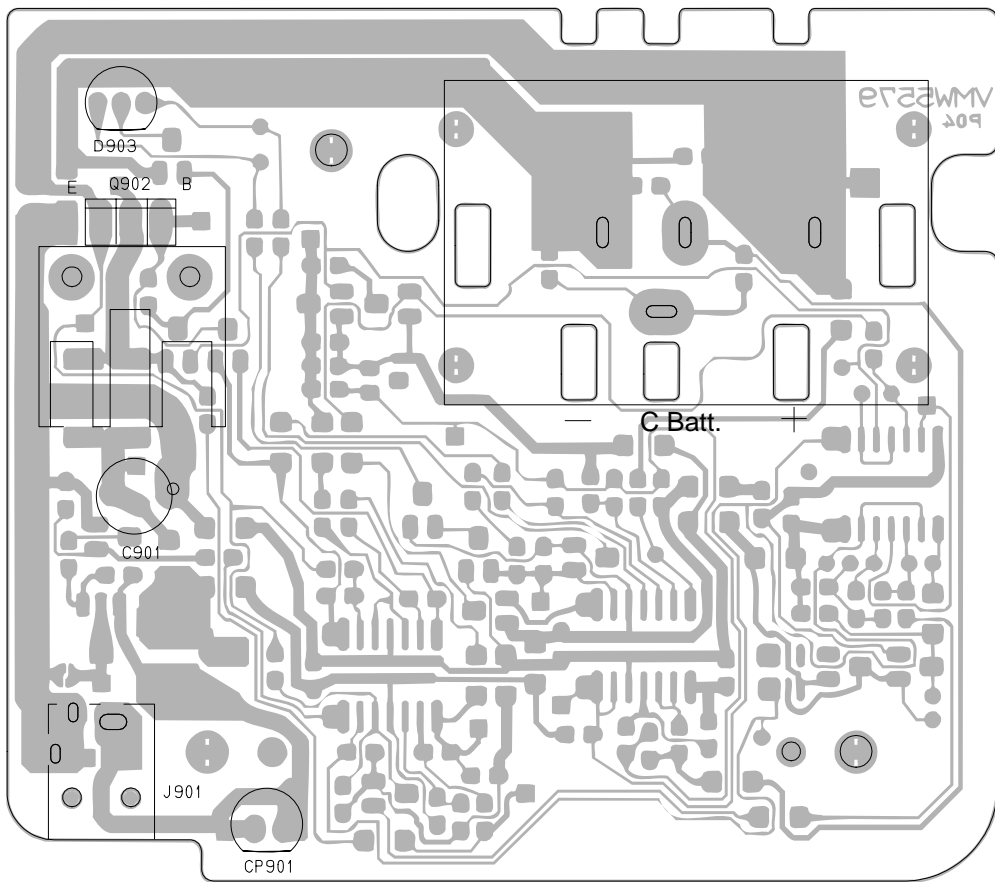
■ Charge boards section

Surface side

5

4

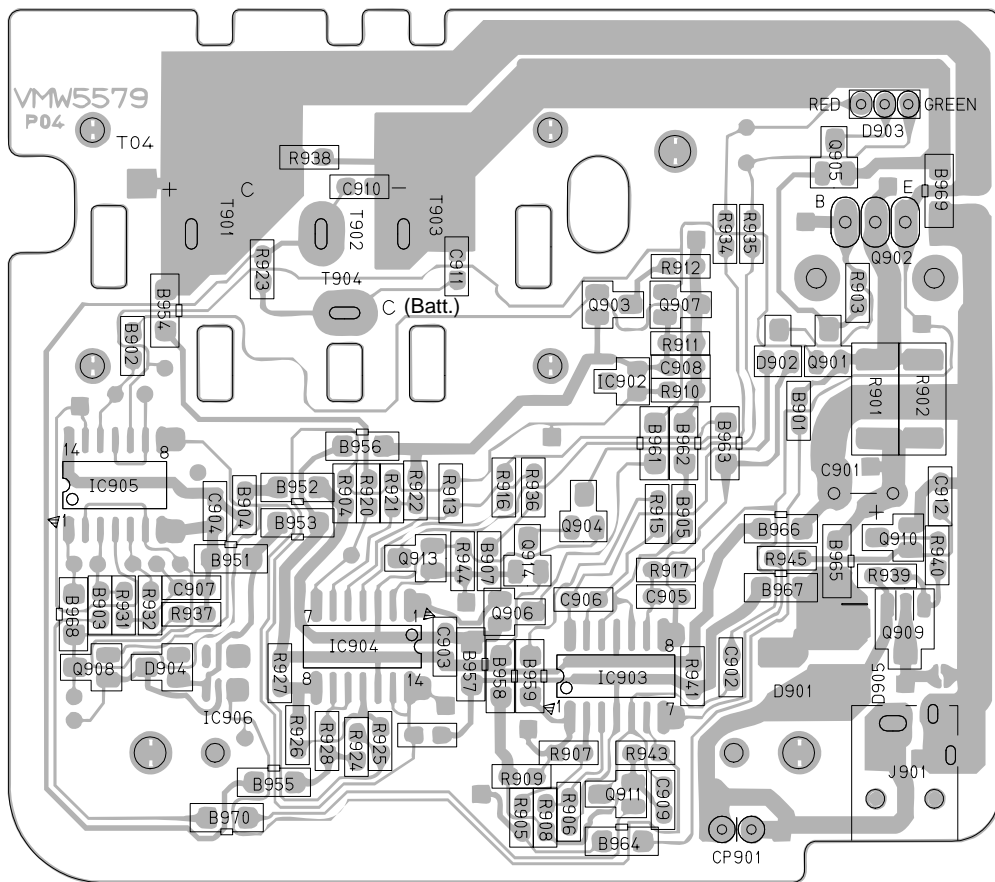
3



Bottom side

2

1



< MEMO >